

# SMALL-OUTLINE DRAM MODULE

CT16M32P8T  
CT16M32E8T

## FEATURES

- 72-pin, small-outline, dual in-line memory module (SODIMM)
- 64MB (16 Meg x 32)
- 4,096-cycle CAS#-BEFORE-RAS# (CBR) refresh distributed across 64ms
- FAST PAGE MODE (FPM) operating mode or Extended Data-Out (EDO) PAGE MODE operating mode

## OPTIONS

- Timing
- 50ns access
  - 60ns access
- Package
- 72-pin SODIMM (Gold)

## MARKING

5  
6  
G

## PIN ASSIGNMENT

PIN	SYMBOL	PIN	SYMBOL	PIN	SYMBOL	PIN	SYMBOL
1	Vss	2	DQ0	37	DQ16	38	DQ17
3	DQ1	4	DQ2	39	Vss	40	CAS0#
5	DQ3	6	DQ4	41	CAS2#	42	CAS3#
7	DQ5	8	DQ6	43	CAS1#	44	RAS0#
9	DQ7	10	Vcc	45	RAS1#	46	A12
11	PD1	12	A0	47	WE#	48	NC
13	A1	14	A2	49	DQ18	50	DQ19
15	A3	16	A4	51	DQ20	52	DQ21
17	A5	18	A6	53	DQ22	54	DQ23
19	A10	20	NC	55	NC	56	DQ24
21	DQ8	22	DQ9	57	DQ25	58	DQ26
23	DQ10	24	DQ11	59	DQ28	60	DQ27
25	DQ12	26	DQ13	61	Vcc	62	DQ29
27	DQ14	28	A7	63	DQ30	64	DQ31
29	A11	30	Vcc	65	NC	66	PRD2
31	A8	32	A9	67	PRD3	68	PRD4
33	RAS3#	34	RAS2#	69	PRD5	70	PRD6
35	DQ15	36	NC	71	PRD7	72	Vss

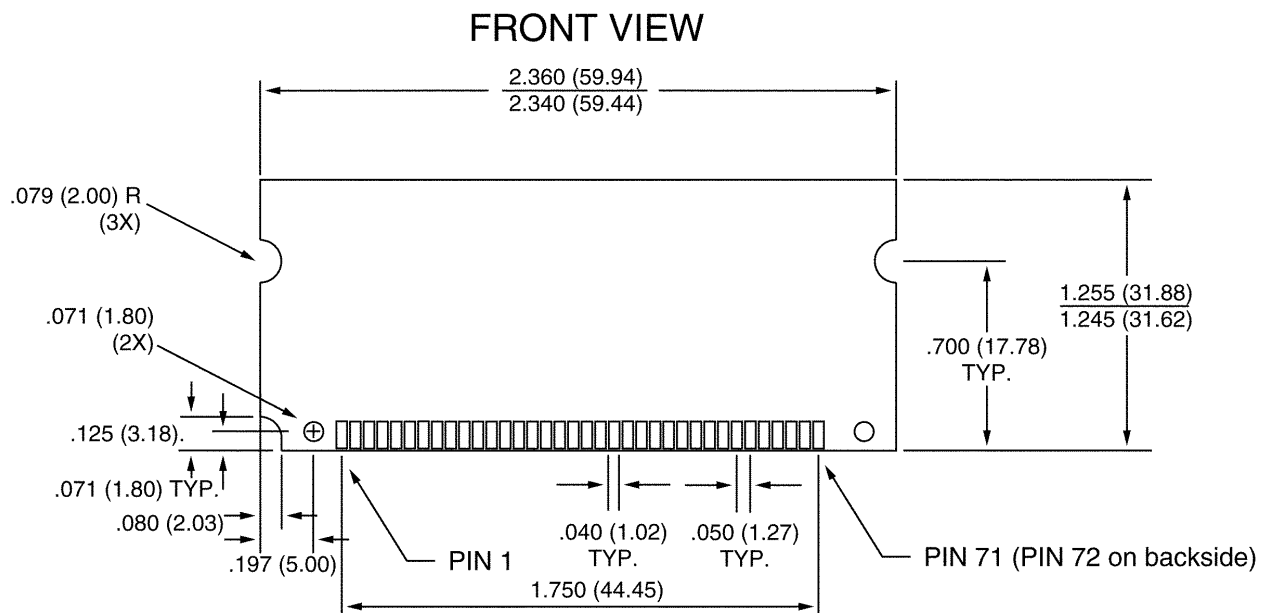
**PART NUMBERS**

PART NUMBER	CONFIGURATION	PLATING	COMPONENT
CT16M32P8T?.8T	16 Meg x 32	Gold	8 - 8 Meg x 8 TSOPs; FPM
CT16M32E8T?.8T	16 Meg x 32	Gold	8 - 8 Meg x 8 TSOPs; EDO

? = speed (5 = 50ns, 6 = 60ns)

Note: Use of non-Micron components will result in a different part number extension. Please contact your Crucial Technology representative at 1-800-336-8896 for further information.

**MODULE DIMENSIONS**



**NOTE:** All dimensions are in inches (millimeters)  $\frac{\text{MAX}}{\text{MIN}}$  or typical where noted.